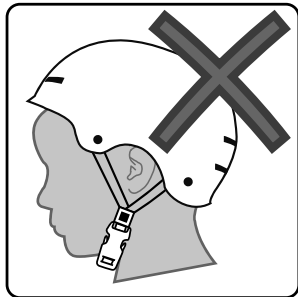
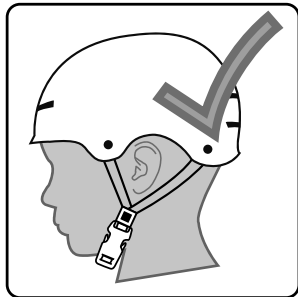


! WARNING:
ALWAYS WEAR YOUR HELMET
WHEN RIDING THIS PRODUCT!



- Helmet should sit level on your head and low on your forehead
- Adjust the strap sliders below the ear on both sides.
- Buckle the chin strap. Adjust strap until it is snug.
- No more than two fingers should fit between the strap and your chin.
- A proper fitting helmet should be comfortable and not rock forward/backward or side to side.
- Always read the user manual that comes with your helmet to make sure it is fitted and attached properly to the wearer's head according to the fitting instructions described in the user manual.

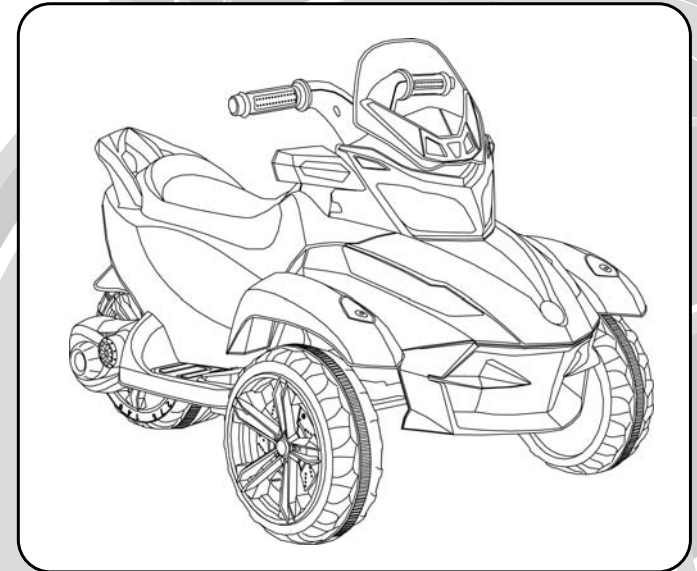
Check
www.Huffybikes.com/contact
for the current contact information

HUFFY

HUFFY



Owner's Manual
for
Motorcycle Ride On



This manual contains important safety, assembly, operation and maintenance information.

Please read and fully understand this manual before operation.

Save this manual for future reference.

Date Code Label
Here

Owner's Manual Index

Safety and Warnings

- User and Battery Warnings.....3-4
- Radio Frequency 4
- Charging Drive Motor Warnings 5

Assembly

- Parts List.....6-7
- Vehicle Assembly.....8-11

Operation

- How to Operate your Vehicle 12
- Circuit Diagram 13

Maintenance and Service

- General..... 14
- Charging the Drive Battery 15
- Battery Replacement, Disposal 16
- Battery Storage..... 17

Troubleshooting 18

Warranty

- Limited Warranty..... 19

Important! Before using the unit for the first time the battery needs to be charged for at least **8 to 12** hours - no more than **20** hours. Only an adult who has read and understands the safety warnings should handle, charge or recharge of the battery (see Maintenance).

SPECIFICATONS:

Suitable Age	3+ Years
Load Capacity	65 lbs (30kgs)
Charger	Input 120v - 60hz
	Output: See charger for details
Drive Motor	6v 30w
Drive Battery	6v 7Ah

Limited Warranty

Your purchase includes the following limited warranty, which is in lieu of all other express warranties. This warranty is extended to the initial purchaser only. Warranty registration is not required. This warranty gives you specific legal rights: you may have other rights, which vary from state to state.

The Vehicle and its component parts are under warranty to be free from faulty materials and workmanship from the date of the original purchase as follows:

- Drive Battery - 30 days
- Electronics - 90 days
- All other Components - 6 months
- All parts are subject to the Conditions of Warranty below.

Conditions Of Warranty

- It is the responsibility of the original consumer to ensure all parts included in the factory sealed carton are properly installed and that all functional parts are working properly.
- This Vehicle has been designed for general transportation and recreational use. This warranty shall become immediately null and void if you do any of the following:
 - Rent the Vehicle
 - Sell the Vehicle
 - Give away the Vehicle
 - Use Vehicle in ways conflicting with use and warnings described in this manual.
- The user assumes all risk of personal injuries, damage to, or failure of the Vehicle and any other losses if the Vehicle is altered in any way or if the Vehicle is used for stunt riding, ramp jumping, acrobatics or similar activities, or is towed by another person or vehicle.
- This warranty does not cover ordinary wear and tear, damage caused by improper storage of the Vehicle, shipping damage, damage caused either accidentally or deliberately by you or another, and damage caused as a result of using the Vehicle other than for its intended purpose.

How do you get service?

Contact Huffy Consumer Service.

See included list for Customer Contact information.

This product meets ASTM F963 and CPSIA requirements for electric vehicles.

Troubleshooting Guide:

Problem	Possible Cause	Solution
Vehicle does not run	Battery low on power	Recharge battery (see Battery: Recharge interval and time)
	Thermal fuse has tripped	Let Fuse reset (approx. 5 minutes)
	Battery connector or wires are loose	Check that the battery connectors are firmly plugged into each other. If wires are loose around the motor call Customer Service.
	Battery is dead	Replace battery (see Battery: Replacement and Disposal)
	Electrical system is damaged	Call Customer Service.
	Motor is damaged	Call Customer Service.
Vehicle does not run very long	Battery is under charged.	Check that the battery connectors are firmly plugged into each other when recharging (see Battery: Recharge interval and Time)
	Battery is old	Replace battery (see Battery: Replacement and Disposal)
Vehicle runs sluggishly	Battery low on power	Recharge battery (see Battery: Replacement and Disposal)
	Battery is old	Replace battery (see Battery: Replacement and Disposal)
	Vehicle is overload	Reduce weight on vehicle (see user requirements and Safety Warnings)
	Vehicle is being used in harsh conditions	Avoid using vehicle in harsh conditions (see User Requirements and Safety Warnings)
Vehicle will not run when foot pedal is pressed and shift lever is in the forward or backward position	Poor contact of wires or connectors	Check that the battery connectors are firmly plugged into each other. If wires are loose around the motor call Customer Service.
	“Dead Spot” on motor	A dead spot means the electric power is not being delivered to the terminal connection and the vehicle needs repair. Call Customer Service.
Difficult shifting from forward to reverse or vice-versa	Attempting to shift while the vehicle is in motion	Completely stop the vehicle and shift (see Use: Manual Operation)
Loud grinding or clicking noises coming from motor or gear box	Motor or gears are damaged	Call Customer Service.
	Drive Wheel is partially engaged	Check drive wheel - to motor engagement.
Battery will not re-charge	Battery connector or adapter connector is loose	Check that the battery connectors are firmly plugged into each other.
	Charger not plugged in	
	Charger is not working	Check that the battery charger is plugged into a working wall outlet.
	Battery is dead	Replace battery.
Charger feels warm when recharging	This is normal and not a cause for concern	If excessively hot, unplug and replace.

WARNINGS

Before using the vehicle the child must understand the controls and safety issues. They must also demonstrate the capability to handle the vehicle and operate its controls.

It is the responsibility of the adult to educate the child, determine if they are fit to operate the vehicle, and supervise use.


Here are basic, common sense safe riding practices you should read aloud to your child and anyone who may use the vehicle:

- An adult must always supervise a child that is using the vehicle.
- Always sit in the seat when using the vehicle. Do not stand on side boards.
- This vehicle is unsuitable for children under 3 years. The user must be 3+ years, and weigh no more than 65 lbs (30kgs).
- This product contains small parts that are for adult assembly only. Keep small children away when assembling. Remove and dispose of all protective material and poly bags before assembly. Be sure to remove all packaging materials and parts from underneath the vehicle body.
- Always use the vehicle in a safe, secure environment with continuous adult supervision.
- Body parts such as hands, legs, hair and clothing can get caught in moving parts. Never place a body part near a moving part or wear loose clothing while using the vehicle. Always wear shoes when using vehicle.
- Use on flat, smooth paved surfaces only.
- Using the vehicle on or near streets, motor vehicle, drop-offs such as: steps, water (swimming pools), sloped surfaces, hills, wet areas, flammable vapors, in alleys, at night or in the dark could result in an accident.
- Do not use the vehicle in unsafe conditions such as snow, rain, loose dirt, mud sand or fine gravel. This may result in unexpected action such as tip over and skidding.
- This vehicle has no brakes. Motor friction will gradually stop the unit.
- Do not use the vehicle in an unsafe manner. Examples include but are not limited to:
 - Pulling the vehicle with another vehicle or similar device.
 - Allowing more than one rider.
 - Pushing the vehicle.
 - Traveling at an unsafe speed.
- There are additional hazards of using the vehicle in areas other than private grounds.
- Not to be used in traffic.
- The vehicle shall be used with caution since skill is required to avoid falls or collisions.
- Do not overload the vehicle.
- Do not tow anything behind the vehicle.
- Do not drive up steep slopes.

WARNINGS - continued

- Do not drive into fixed objects, which may cause the wheels to spin, causing the motor to overheat.
- Do not drive in very hot weather, components may overheat.
- Do not allow water or other liquids to come in contact with the battery or other electric components.
- Do not tamper with the electrical system. Doing so may create a short, causing the fuse to trip or other damage including fire.
- Do not stand on or in vehicle while moving.
- Child should always wear an approved helmet when using this product.
- If equipped, child should always use properly and securely attached Seat Belt.
- Only use authorised replacement parts.

Radio Frequency Information (charger/adapter)

 **CAUTION:** Changes or modifications to this unit not expressly approved by the party responsible for compliance could void the user's authority to operate the equipment.

This device (charger/adapter) complies with Part 15 of the FCC Rules. Operation is subject to the following two conditions:

- (1) this device may not cause harmful interference, and
- (2) this device must accept any interference received, including interference that may cause undesired operation.

NOTE: This equipment has been tested and found to comply with the limits for a Class B digital device, pursuant to Part 15 of the FCC Rules. These limits are designed to provide reasonable protection against harmful interference in a residential installation. This equipment generates, uses and can radiate radio frequency energy and, if not installed and used in accordance with the instructions, may cause harmful interference to radio communications.

However, there is no guarantee that interference will not occur in a particular installation. If this equipment does cause harmful interference to radio or television reception, which can be determined by turning the equipment off and on, the user is encouraged to try to correct the interference by one or more of the following measures:

- Reorient or relocate the receiving antenna.
- Increase the separation between the equipment and receiver.
- Connect the equipment into an outlet on a circuit different from that to which the receiver is connected.
- Consult the dealer or an experienced radio/TV technician for help.

Battery storage

The drive battery should be charged when depleted, or if not used regularly, once a month. Failure to charge the battery as directed will cause permanent damage to the battery and will void the warranty.

Follow these guidelines if the battery is removed:

- Do not store battery in extreme hot or cold temperatures.
- Wipe the battery clean with a dry cloth prior to storage. Wash cloth separate from other clothes.

Drive Battery Replacement and Disposal

The drive battery will eventually lose the ability to hold a charge. Depending on the amount of use, and varying conditions, the battery should operate for one to three years. Follow these steps to replace and dispose the battery:

1. Remove the seat.
2. Disconnect the battery connectors.
3. Remove the metal battery bracket.
4. Carefully lift the battery.
 - Depending on the condition of the battery (i.e.: leakage) you may want to wear protective rubber gloves before removal.
 - Do not lift the battery by its connectors or cables.
5. Place the dead battery in a plastic bag.

Important!

- The sealed lead-acid battery must be recycled or disposed of in an environmentally sound manner.
- Do not dispose of battery in a fire. The battery may explode or leak acid.
- Do not dispose of the battery in household trash. The incineration, land filling or mixing of sealed lead-acid batteries with household trash is prohibited by law.
- Return an exhausted battery to a federal or state approved lead-acid battery recycler, such as a local seller of automotive batteries (check local battery disposal regulations).

NOTE: Replacement batteries are available at most battery supply stores. Document battery size and type (found on battery).

6. Install replacement battery and reconnect the connectors.
7. Replace the metal battery bracket.
8. Replace the seat.

! WARNINGS - Charging the Drive Motor Battery



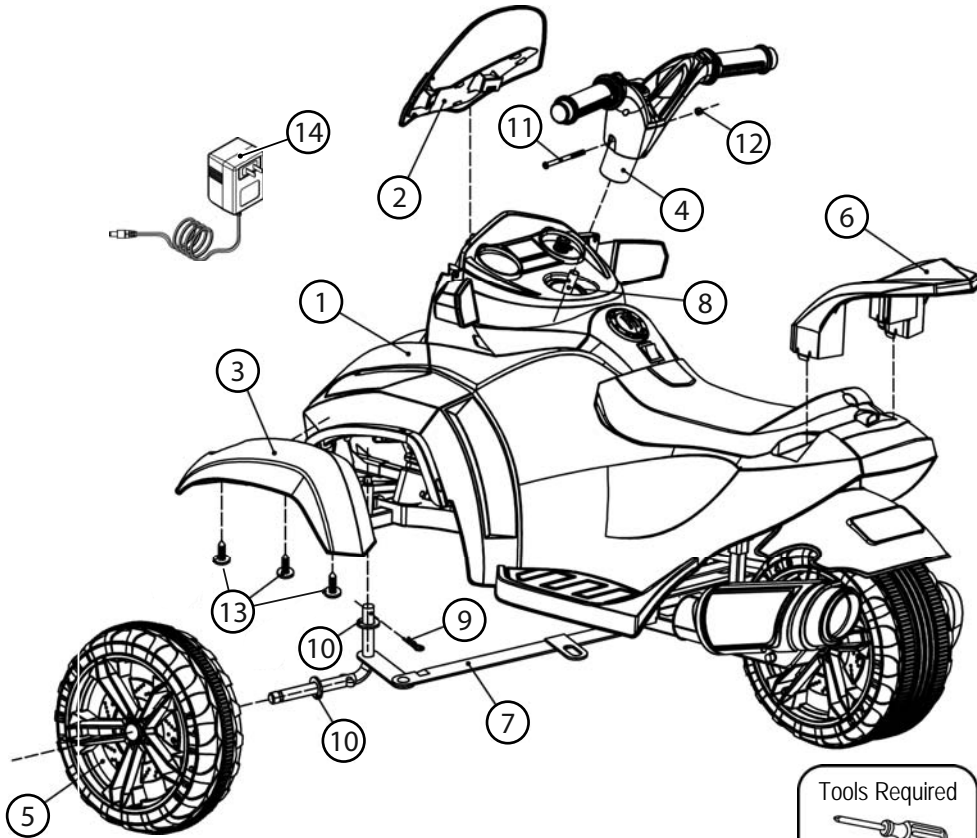
The following safety hazards may result in serious injury or death to the user of the vehicle:

- Use of a battery or charger other than the supplied rechargeable battery and charger may cause a fire or explosion. Only use the supplied rechargeable battery (or suitable replacement) and charger with the vehicle.
- Using the rechargeable battery and charger for any other product may result in overheating, fire or explosion. Never use the rechargeable battery and charger with another product.
- Explosion. Gases are created during charging. Charge the battery in a well ventilated area. Do not charge the battery near heat or flammable materials.
- Contact between the positive and negative terminals may result in fire or explosion. Avoid direct contact between the terminals. Picking up the battery by the wires or charger can cause damage to the battery and may result in a fire. Always pick up the battery by its case or handles.
- Battery must be handled by adults only. Liquids on the battery may cause fire or electric shock. Always keep all liquids away from the battery and keep the battery dry.
- Contact or exposure to battery leakage (lead acid) may cause serious injury. If contact or exposure occurs immediately call your physician. If the chemical is on the skin or in the eyes, flush with cool water for 15 minutes. If the chemical was swallowed, immediately give the person water or milk. Do not give water or milk if the patient is vomiting or has a decreased level of alertness. Do not induce vomiting.
- Battery Posts, terminals and related accessories contain lead and lead compounds (acid), chemicals known to cause cancer, reproductive harm and are toxic and corrosive. Never open the battery.
- Tampering or modifying the electric circuit system may cause a shock, fire or explosion and permanently damage the system. Exposed wiring and circuitry in the charger may cause electric shock. Always keep the charger housing closed.

Before First Drive - Battery Charging





Important! Before using the unit for the first time the battery needs to be charged for at least **8 to 12** hours - no more than **20** hours. Only an adult who has read and understands the safety warnings should handle, charge or recharge of the battery (see Maintenance).

Note: It is not necessary to remove the battery from the vehicle for charging. However, if the adapter cord will not safely reach a 110-120 volt wall outlet, the battery can be removed for charging.



NOTE: Some Parts Shown are assembled on both sides of vehicle.

Tools Required

-  Screwdriver (not included)
-  Pliers (not included)
-  Hammer (not included)
-  Spanner (not included)

IMPORTANT!

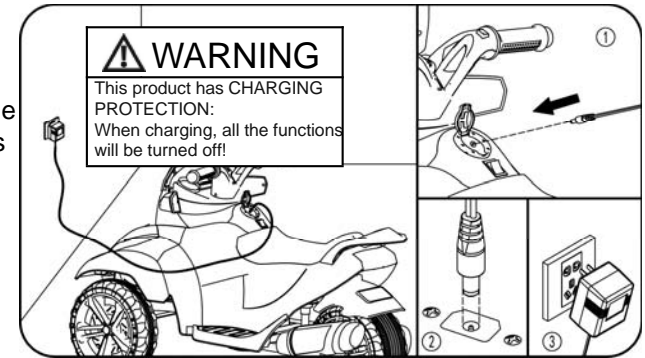
Check the drive battery and charger (supply cord, connector) for wear and damage before charging. Do not charge the battery if damage has occurred. Only replace with the same type 6V rechargeable battery and charger supplied by the manufacturer.

- Only use the rechargeable battery (or equivalent replacement) and charger supplied with your vehicle.

The drive battery should be charged when depleted, or if not used regularly, once a month. Failure to charge the battery as directed will cause permanent damage to the battery and will void the warranty.

CHARGING THE DRIVE BATTERY:

1. Charge Drive Battery after 1-2 hours of use or when the vehicle does not move at its normal speed.
2. **Ensure Power Switch is OFF.**
3. The Charging Port is in the **Fuel Tank Cap.**
4. First insert the Charger DC plug into the Charging Port and then insert the charger into the wall socket.
5. After charging is complete (at least 8-12 hours - no more than 20) unplug the Charger from the wall outlet.
6. Unplug the Charger from the Charging Port.




NOTE: The charger may feel warm during the charging. This is normal and not a cause for concern. If excessively hot, unplug and replace.

Maintenance

General:

The vehicle should be checked for damage, missing or badly worn parts before each use.

- Check the tightness of the fasteners before each use.
- Check the tightness of the wheels:
 - **Note:** If the drive wheel is not tight, it will not engage the gears and the vehicle will not run.
- Ensure the battery bracket is securely in place before use.
- Store the vehicle indoors. Keep it away from sources of heat, such as stoves and heaters.
- Clean the vehicle with a soft, dry cloth. To restore shine to plastic parts, use a non-wax furniture polish. Do not use automotive wax, abrasive cleaners or wash the vehicle with soap and water.

 **WARNING:** Water will damage the motor, electrical system and battery.

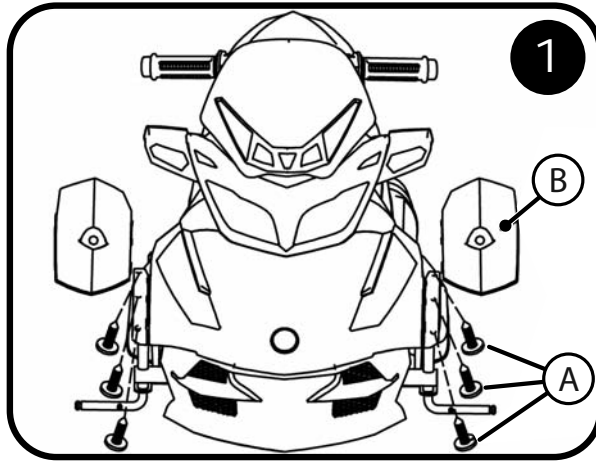
Parts List

#	Description	#	Description
1	Vehicle Body	8	Steering Shaft
2	Windshield		• M12 Washer (x1)
3	Fender (left / right)	9	Cotter Pin (x2)
4	Steering Assembly / Handlebar	10	M12 Washer (x4)
5	Front Wheel (x2)	11	M5x65 Bolt
6	Tail Wing	12	M5 Nut
7	Steering Linage Assembly	13	M4x12 Screw (x6)
		14	Charger

Assembly

Installing the Front Fenders:

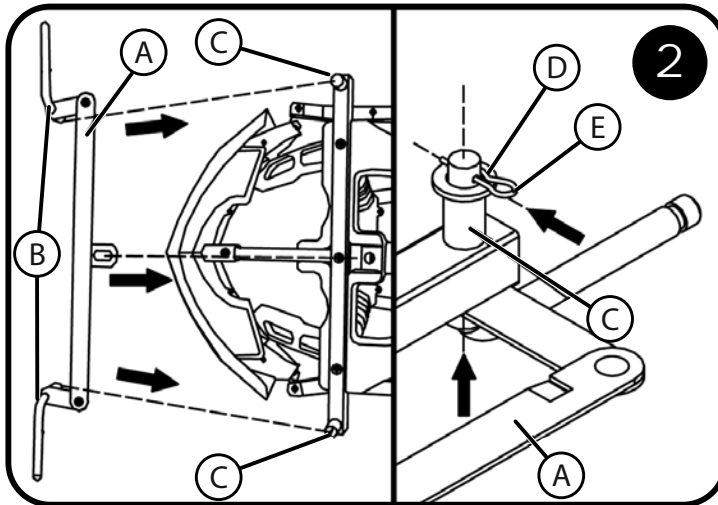
1. Remove Screws (A) from packaging.
2. Fit Fenders (B) in position and attach Screws from underneath.
3. Repeat for opposite side.



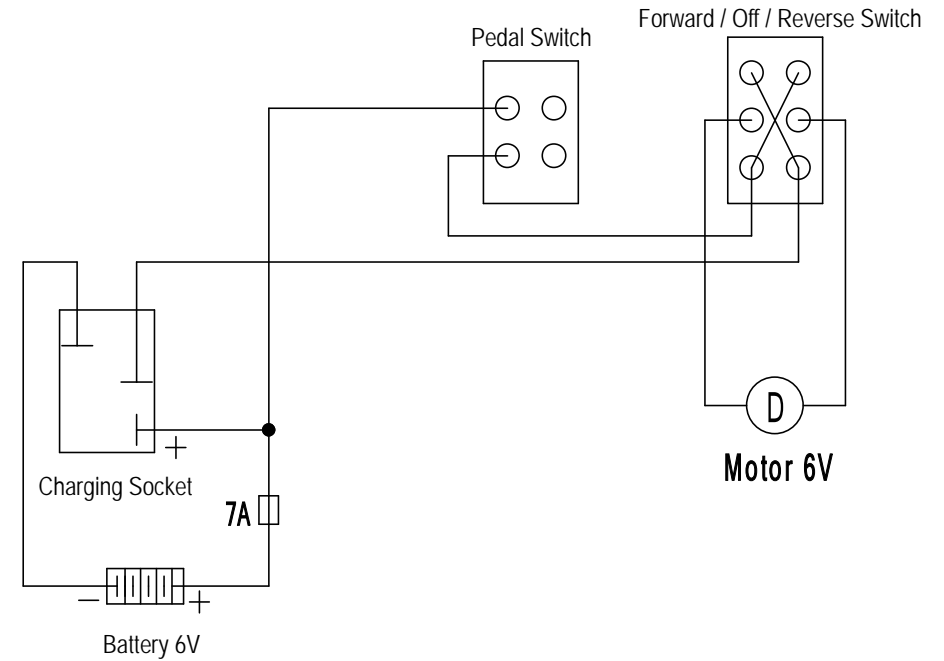
NOTE: The Steering Linkage comes folded inwards for shipping. The linkage must be removed and set up for use:

Installing the Steering Linkage:

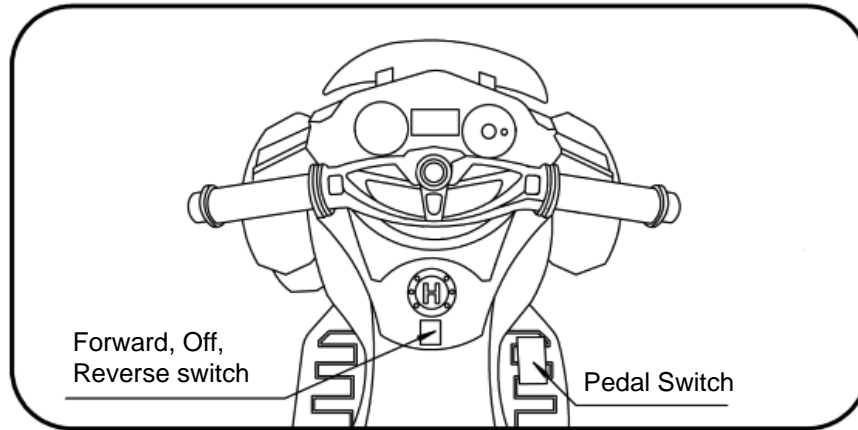
1. Turn vehicle over.
2. Pull the Steering Linkage (A) out, away from the frame. Turn each Axle (B) 180° so that they are pointing OUTWARD as shown..
3. Re-insert Steering Linkage through Steering Tube (C) fully as shown.
4. Place a Washer (D) over Axle Leg and insert Cotter Pin (E) as shown. Make sure Cotter Pin SNAPS into position so that it does not come out. - Repeat for opposite side Axle.



Circuit Diagram



How to Operate your Vehicle



Forward:

- Press the “Forward, OFF and Reverse switch” to the “Forward” position.
- Press the pedal.
- The vehicle drives forward.

OFF/Stop:

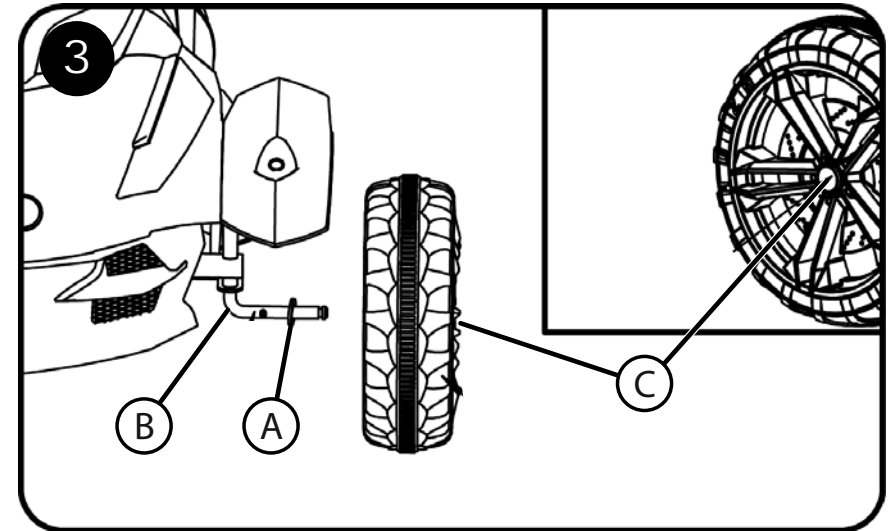
- Press the “Forward, OFF and Reverse switch” to the “OFF” position.
- Remove foot from the accelerator pedal to stop the car.

Reverse:

- Press the “Forward, OFF and Reverse switch” to the “Reverse” position.
- Press the pedal.
- The vehicle drives backward.

CAUTION: Always stop vehicle when changing the speed or direction to avoid damage to the gear box and motor.

Assembly



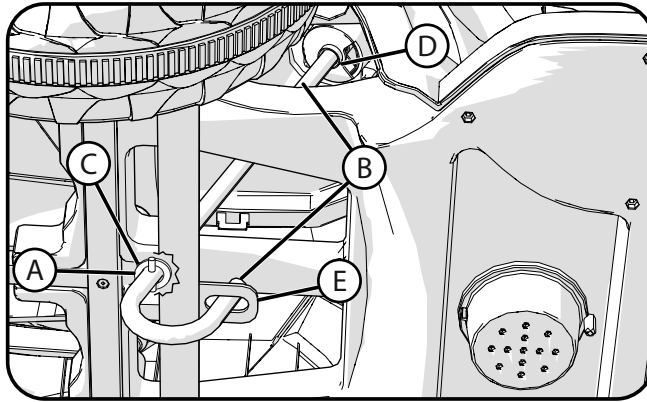
Installing the Front Wheels:

1. Attach both Front Wheel by placing Washer (A) on Axle (B) and then fitting Wheels fully onto the Axle while pushing in the center hub-cap Button (C) until the wheels SNAP into place.
2. Repeat for opposite side.

Check that wheels are fully snapped in place by gently pulling outward.

Assembly

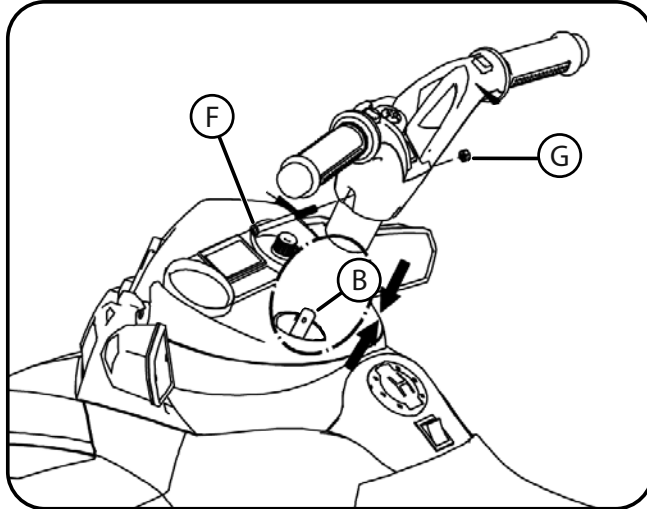
NOTE: Turn vehicle on it's side before starting.



Installing Steering Shaft and Handlebar:

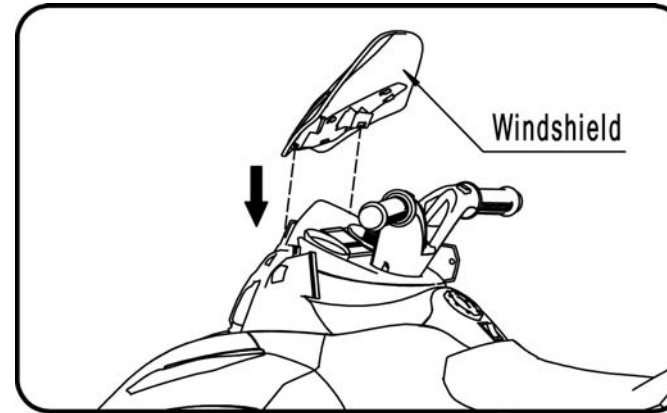
1. Place Washer (A) onto Steering Shaft (B) as shown.
2. Insert straight end of Steering Shaft (B) through hole in vehicle body (C) and out through Hole in Dashboard (D).
3. Fit bent end of Steering Shaft into Steering Linkage Slot (E).
4. Remove Screw (F) and Nut (G) from Handlebars.
5. Fit the Handlebars onto Steering Shaft (B).
6. Install Screw (F) and Nut (G) through Handlebar and Steering Shaft as shown. Tighten securely.

NOTE: Nut fits in recess side.



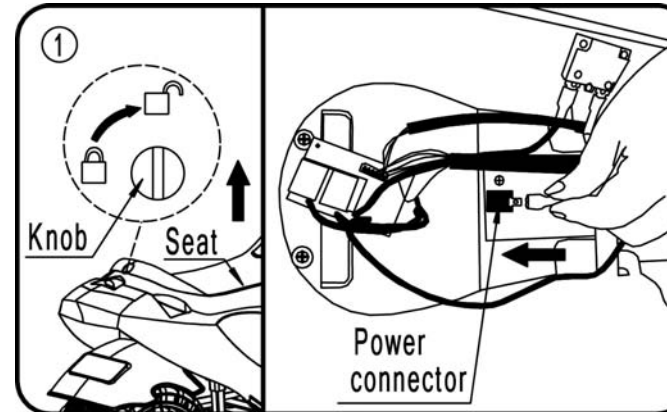
CAUTION: Make sure Handlebars turn freely from left to right and that wires do not pinch.

Assembly




Install the Windshield:

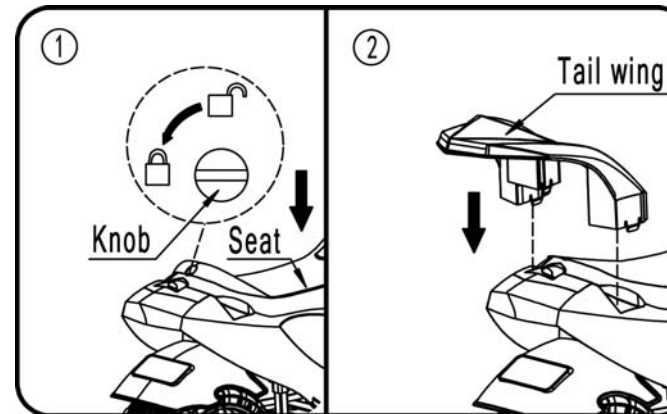
1. Align the Windshield Tabs with the slots in the body.
2. Snap into place.




Connect the Power Supply:

1. Remove the Seat by rotating the Lock Knob to Unlock: 
2. Plug the Power Connector into the terminal on the Battery as shown.

Attach Tail Wing: **NOTE: Seat must be removed.**



3. Snap Tail Wing firmly into place as shown.
4. Re-install Seat and turn Lock Knob to Locked position: 

NOTE: Seat will not install if Tail wing is not fully snapped in position first.